

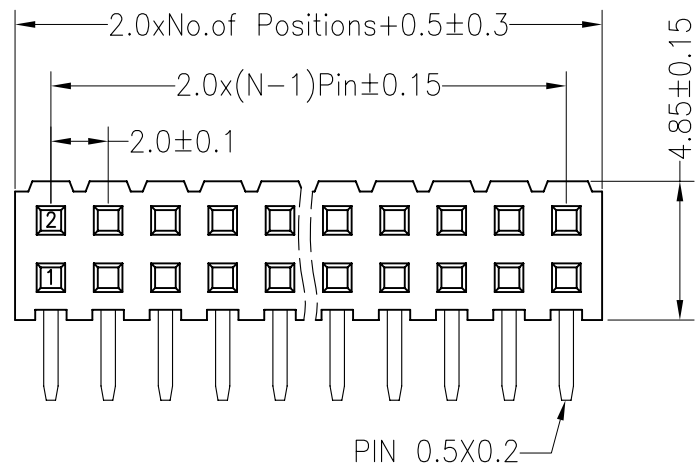
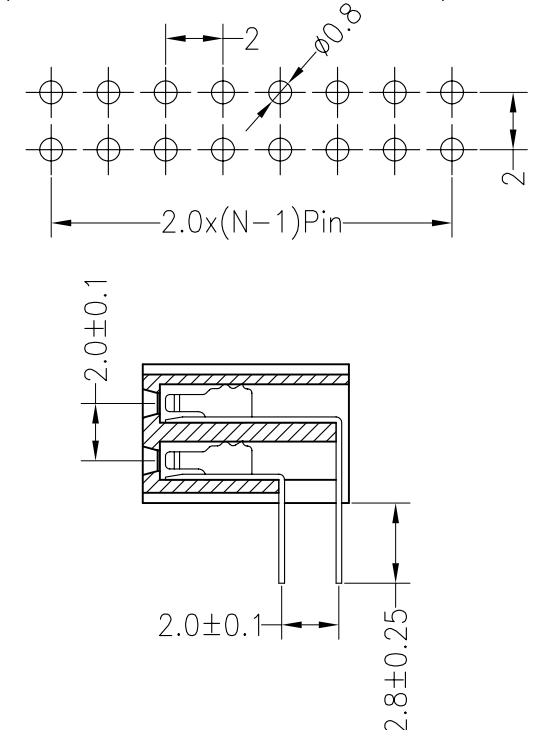


**SPECIFICATIONS**

Rated Current:1.5AMP  
 Contact Resistance:20mΩ Max  
 Withstand Voltage:500V AC/DC  
 Insulation Resistance:1000MΩ Min  
 Operation Temperature:-40°C to +105°C

Contact Material:Brass  
 Contact Plating:Au or Sn Over Ni  
 Insulator Material:Polyester(UL94V-0)  
 Standard: PA6T  
 Max.Processing Temp: 230°C for 30-60 seconds  
 (260°C for 10 seconds)

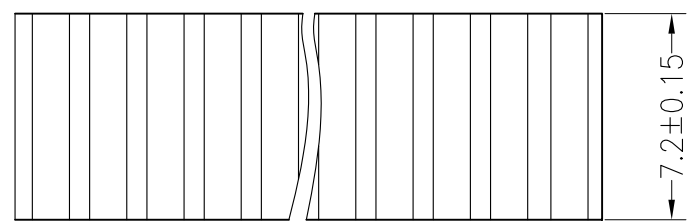
Recommended P.C.B Layout(Top Side)  
 (PCB BOARD TOLERANCE±0.05)



**Ordering Information**

2372 02 XX X N XX R U X 01

- No.of Pins Per Row 2\*40
- Insulator Material Option: A=BK-PBT, B=BK-PA66, C=BK-PA6T, D=BK-PA46, F=BK-LCP
- Contact Plating: G0:Gold Flash, G2:5U" Gold, G3:10U" Gold, G4:15U" Gold, G5:30U" Gold, S0:Gold Flash/Tin, SN:Tin
- Packing: 0=Pe Bag, T=Tube, P=Tube+Cap



				OPERATION		DRAW	YiYuSheng	12.04.18	SCALE	FIT	深圳市锦凌电子有限公司 SHENZHEN JINLING ELECTRONIC CO.,LTD Tel: 86-755-2997-5806/5802 Fax: 86-755-2997-5992	
				X.X	±0.30				UNIT	mm		
				CHECK				SIZE	A4	PART NO.		237202XXXNXXRUX01
				APPROVE				SHEET	1/1	TITLE:		2.00PF H7.2mm 2xNpin 90°
REV	DATE	MODIFICATION DESCRIPTION	CHANGE	DIM	TOL			PROJ.				